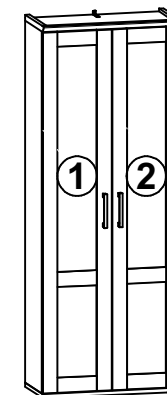


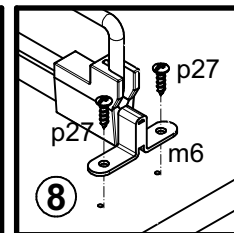
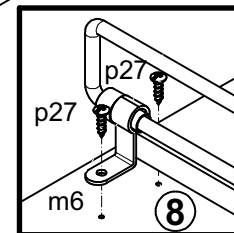
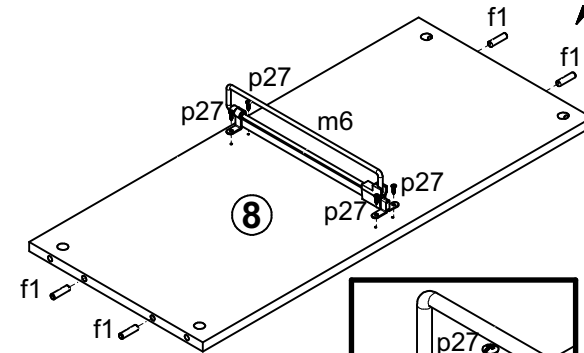
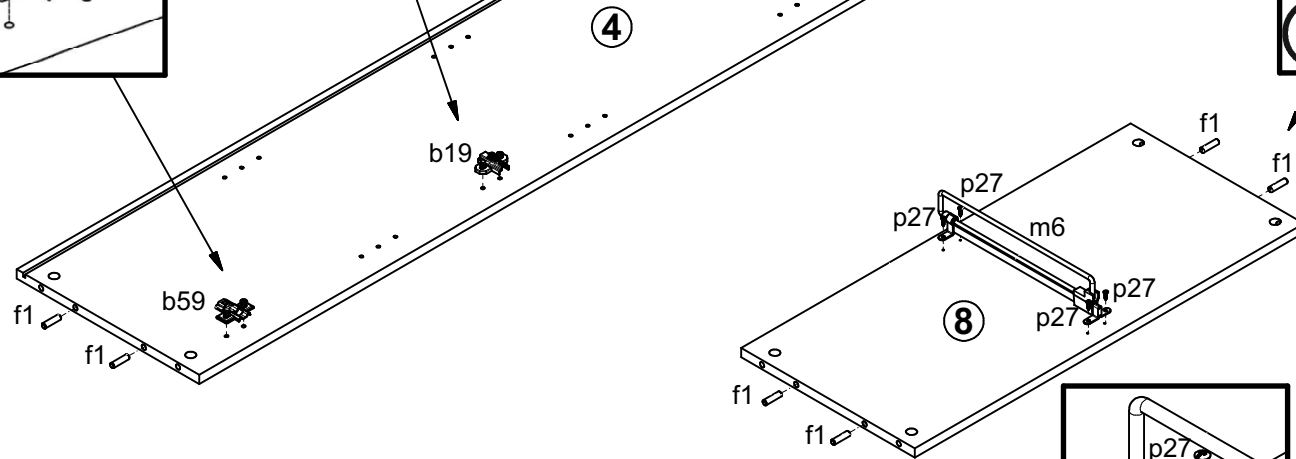
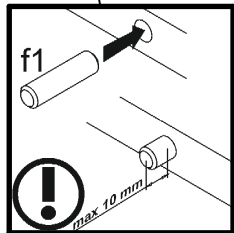
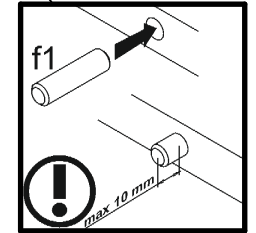
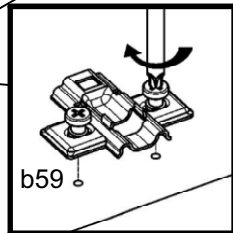
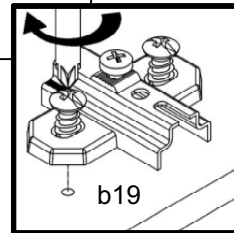
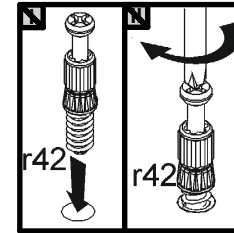
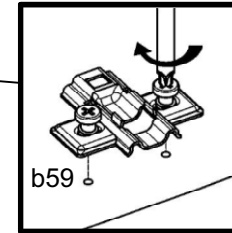
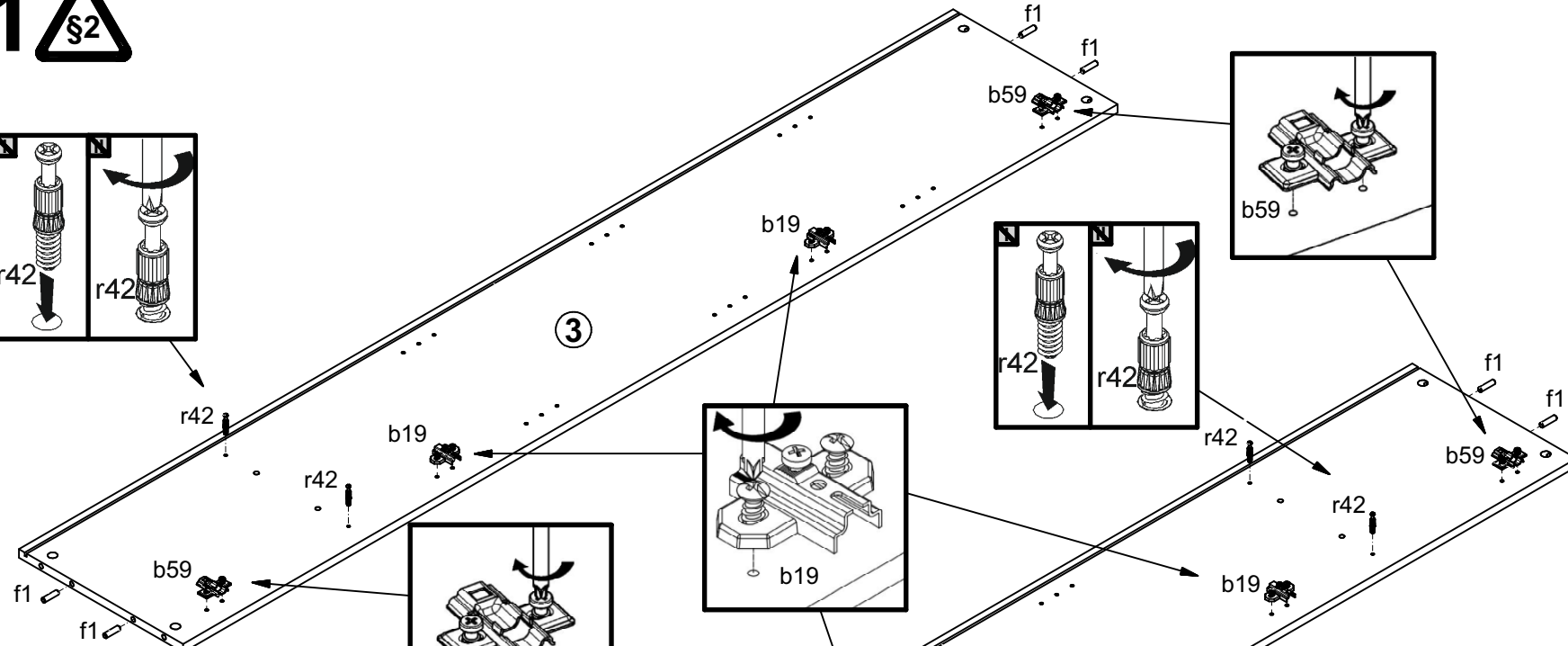
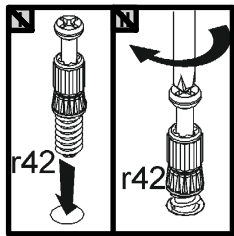
A	B	C (mm)		D
1	S330-008	1940	376	2/2
2	S330-009	1940	376	2/2
3	S330-104	1946	342	1/2
4	S330-105	1946	342	1/2
5	S330-203	760	380	1/2
6	S330-204	760	363	1/2
7	S330-302	728	320	1/2
8	S330-303	729	325	1/2
9	S330-904	1956	739	1/2



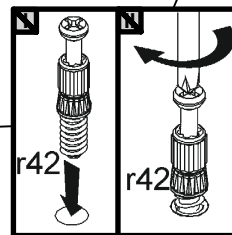
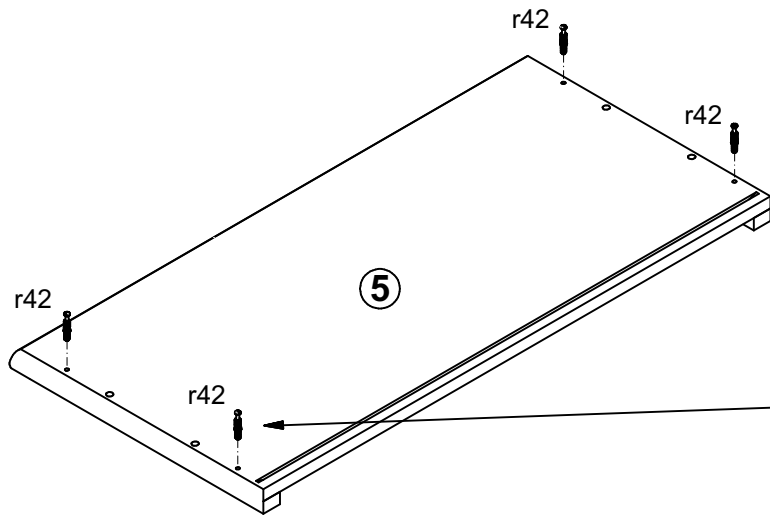
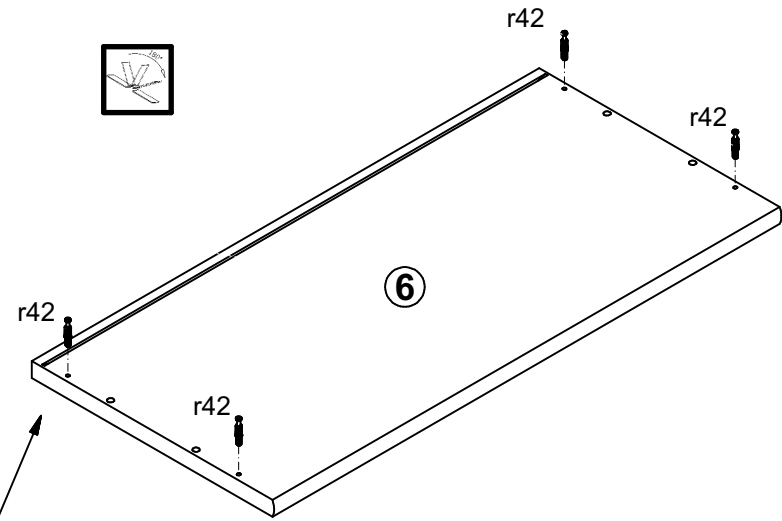
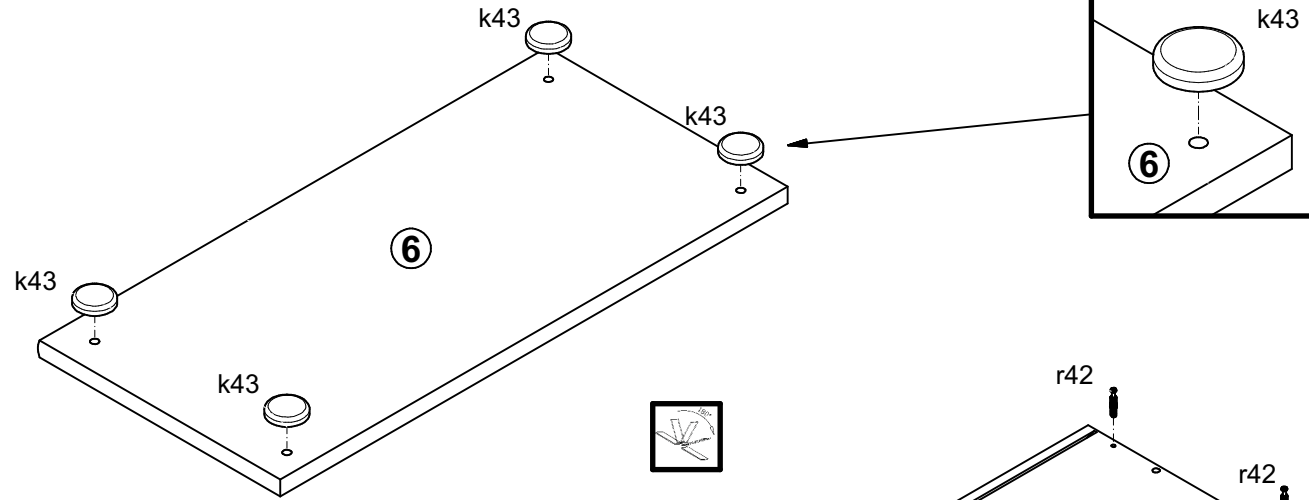
cm 0 1 2 3 4 5 6 7 8 9 10

4x KD a44	4x KD, Ø35 hamulac a102	4x DS b19	4x DS b59	2x 160 mm c193	12x n 5x17 mm d1	12x Ø8x30 mm f1	4x k43				
10x l1	12x l2	1x L=300 mm m6	1x 81x21x15/1,5 n14	2x silikon o21	4x Ø4x30 mm p9	4x Ø3,5x13 mm p27	2x Ø3,5x16 mm p38	16x Ø3,5x15 mm p51	12x Ø15x12 mm #16 r1	12x 2011 r42	12x Ø16 s2

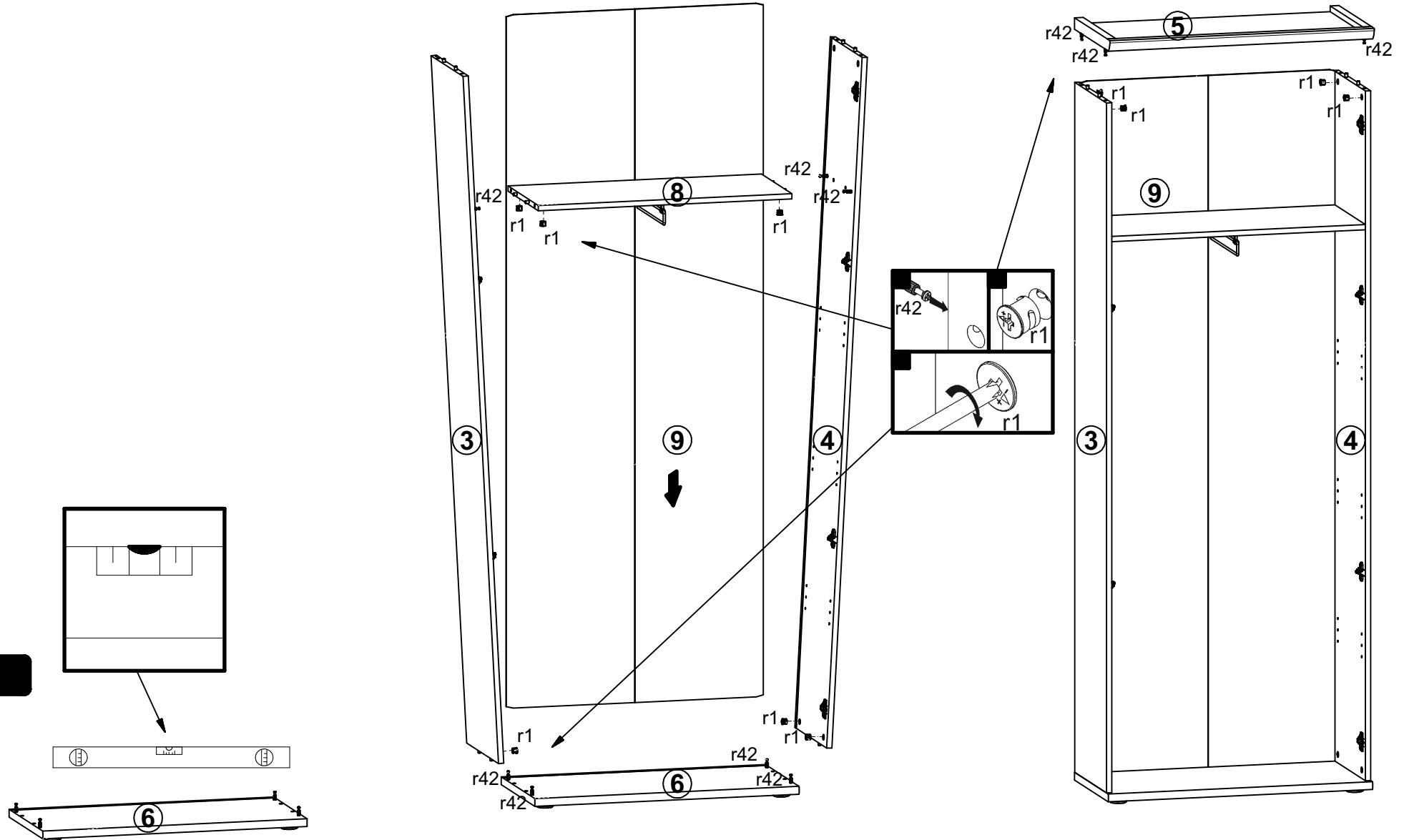
1 



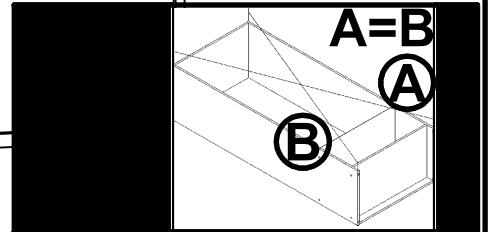
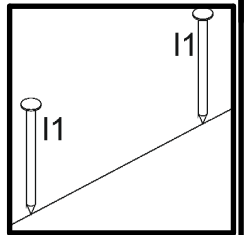
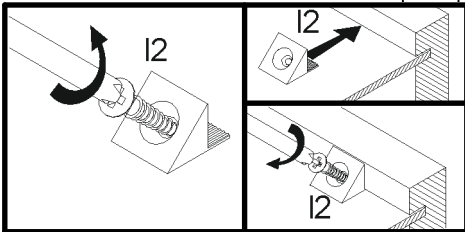
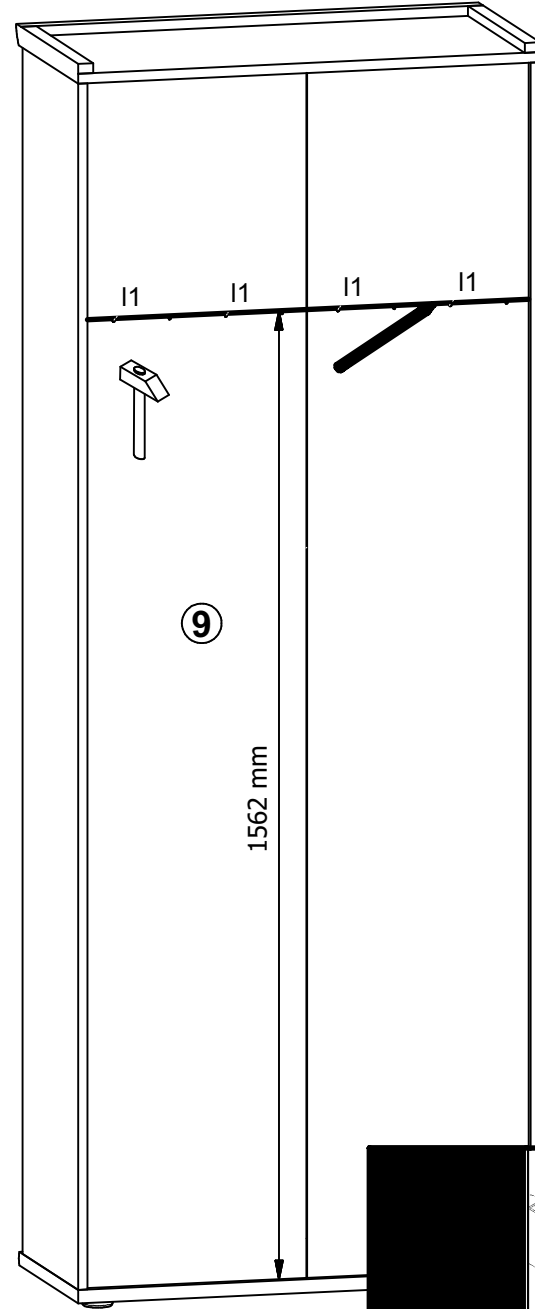
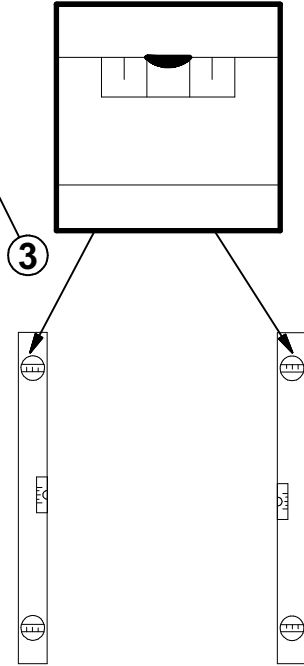
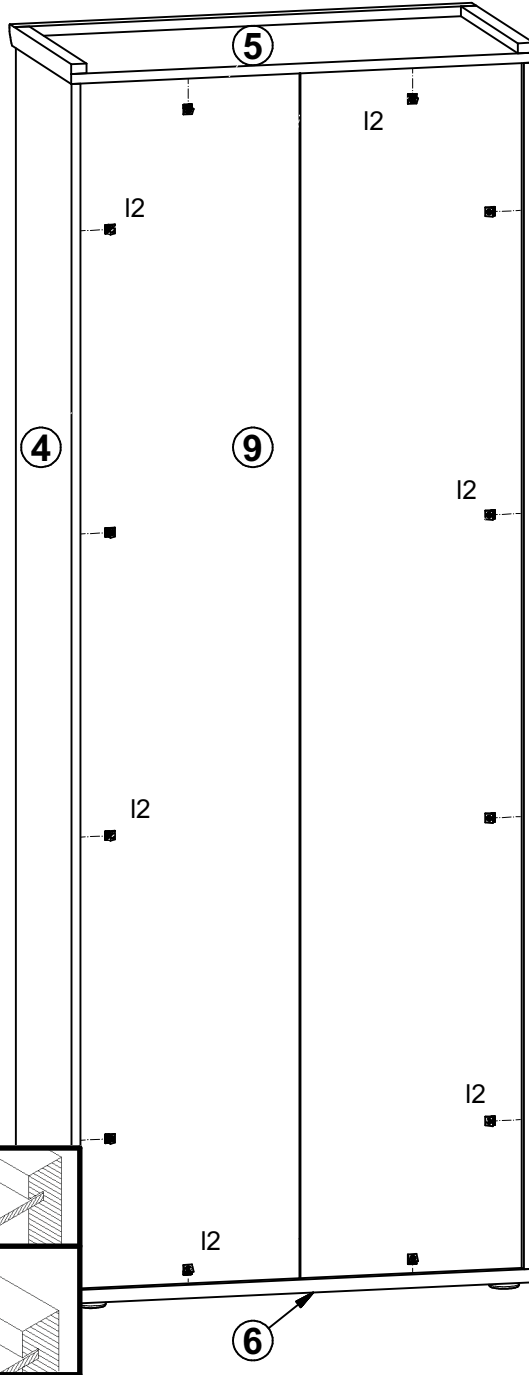
2



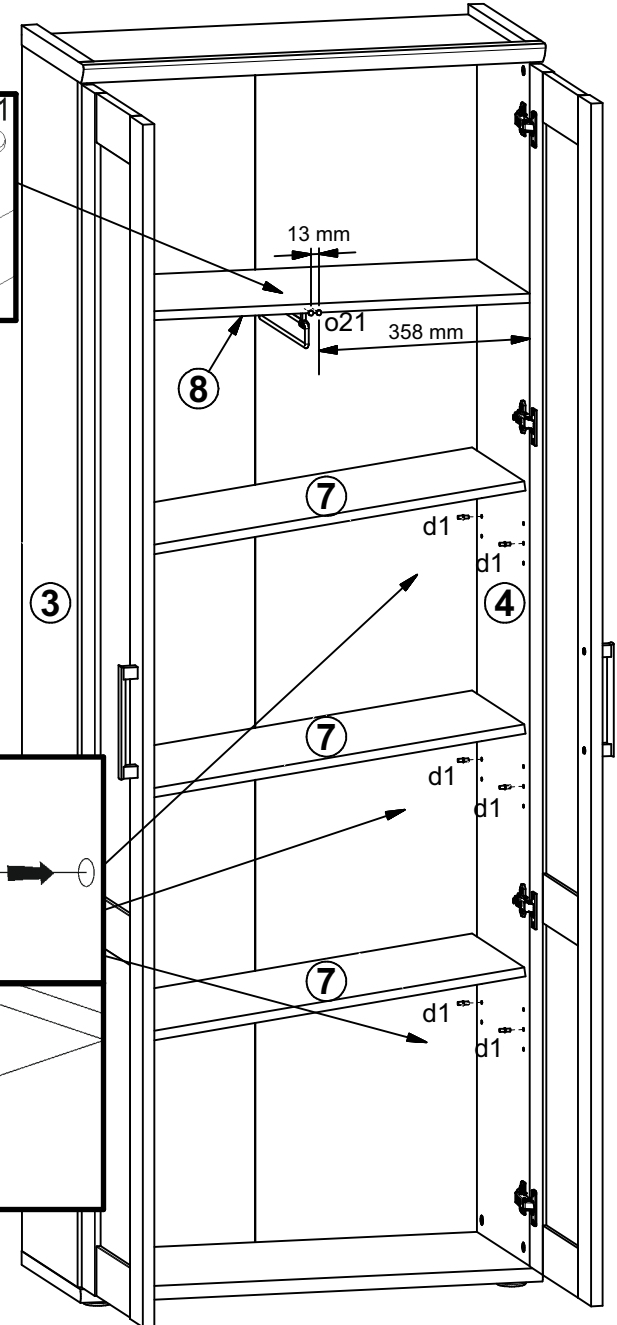
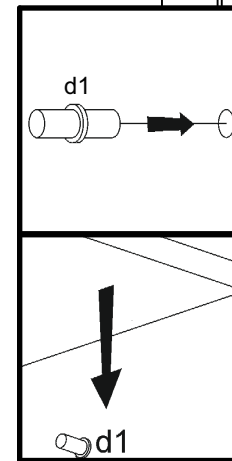
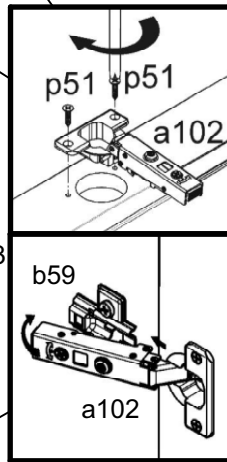
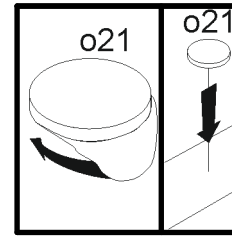
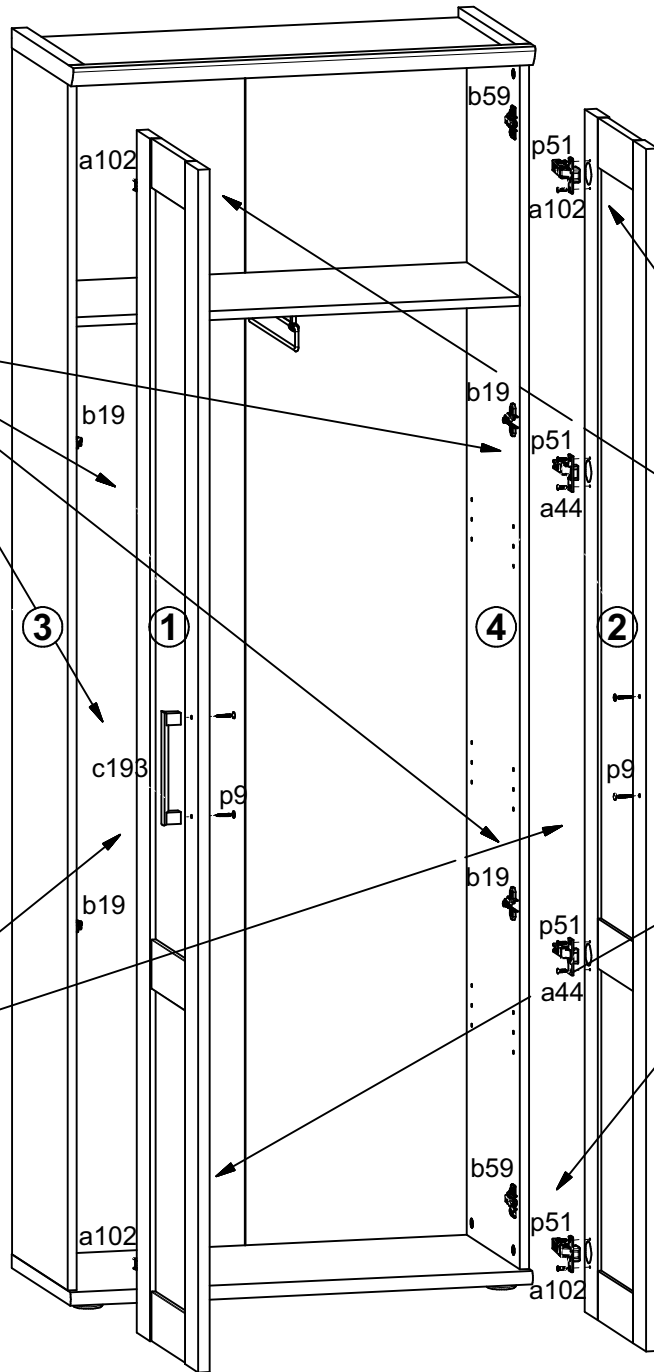
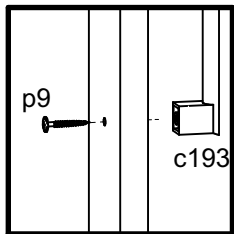
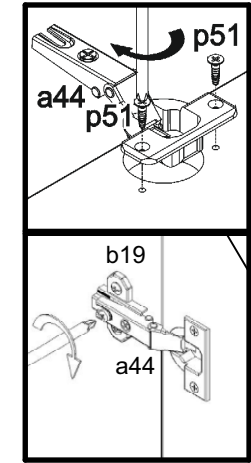
3 ▲



4



5



6

